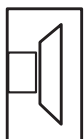
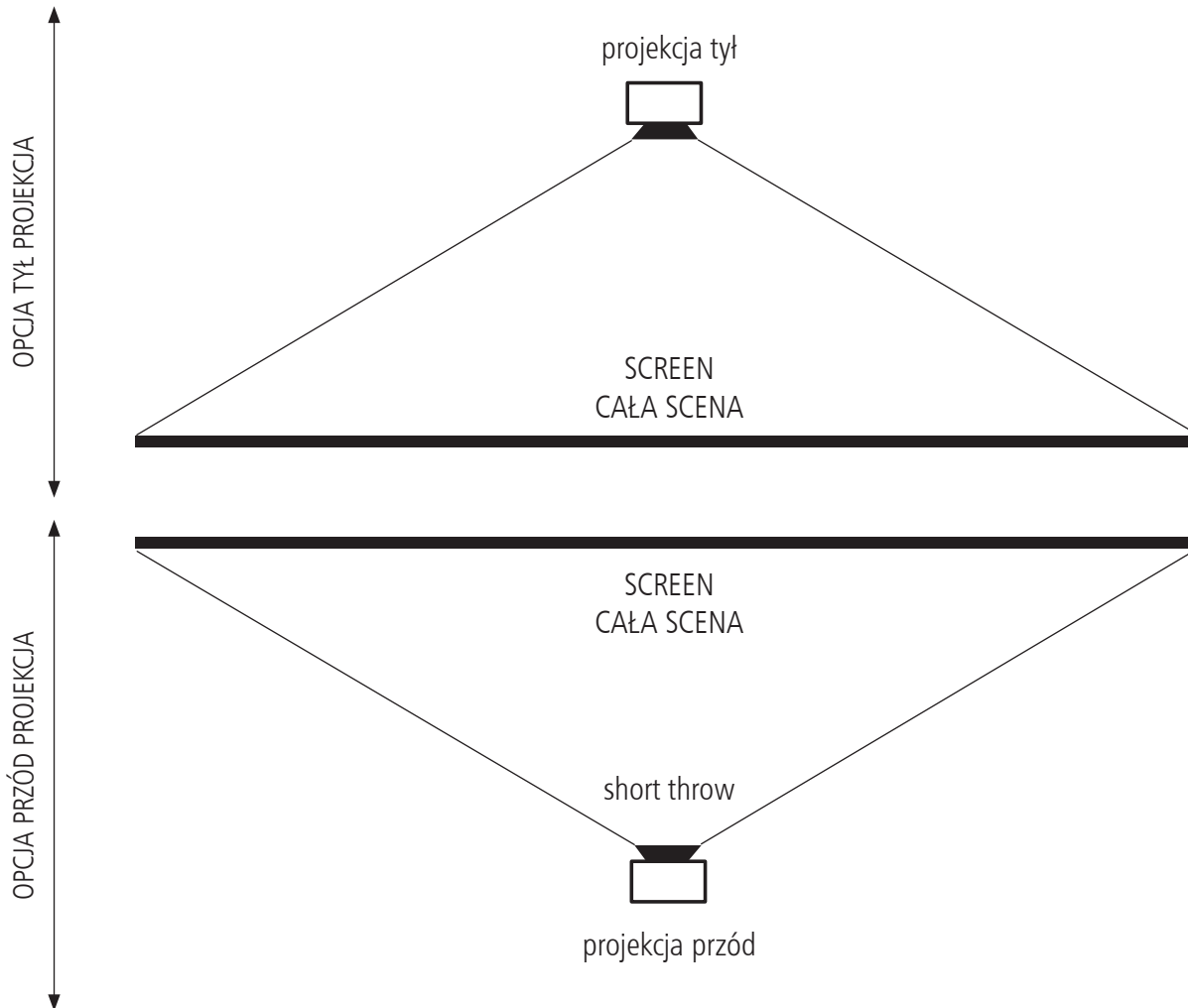
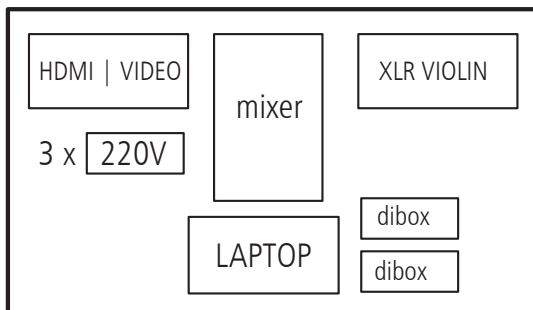


# FUTURE FOLK

## STAGE PLAN



**AUX 3**  
monitor audio  
activ + sub



DJ bitec H 100cm

